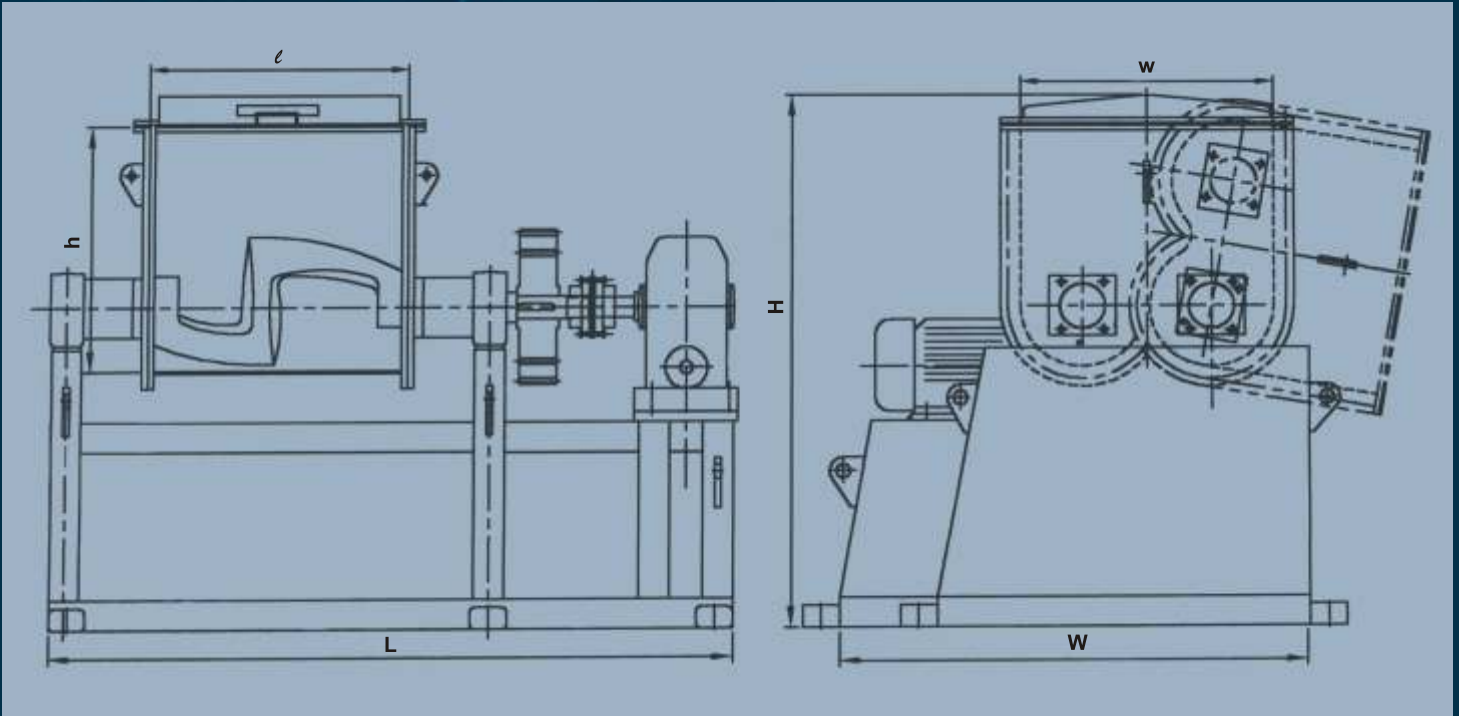


# SIGMA MIXER



Model No.	Total Capacity	Working Capacity	Motor Rating		Container Dimensions			Over All Mixer Size		
			Standard	Heavy	Length	Width	Height	Length	Width	Height
	Liters	Liters	HP	HP	( $\phi$ ) mm	(w) mm	(h) mm	(L) mm	(W) mm	(H) mm
SM - 03	5	2- 3	0.75	1	150	150	150	625	375	550
SM - 05	8	3- 5	1	2	200	200	200	650	500	800
SM - 10	15	7- 10	2	3	250	250	250	1100	750	850
SM - 25	40	20- 25	3	5	350	350	350	1500	1150	1100
SM - 50	75	35- 50	5	7.5	450	450	450	1650	1200	1500
SM - 75	110	50- 75	7.5	10	500	500	500	1900	1500	1650
SM - 100	150	70- 100	10	15	600	600	550	2000	1700	1850
SM - 150	225	110- 150	15	20	650	650	600	2200	1800	1950
SM - 200	300	150- 200	20	25	750	750	700	2400	1850	2000
SM - 300	450	225- 300	25	30	850	850	750	2700	1950	2050
SM - 400	600	300- 400	30	40	900	900	800	2800	2100	2100
SM - 500	800	400- 500	40	50	1000	1000	875	3000	2150	2250
SM - 750	1100	500- 750	50	60	1150	1150	1000	3300	2200	2350
SM -1000	1400	700- 1000	60	75	1250	1250	1100	3500	2250	2500

\* Dimensions for higher capacity equipment are available on request.

Note: As improvements in design are being made continuously, the above specifications should be considered for reference only. The equipment built may differ due to our policy of continuous product development.



## Unique Mixers & Furnaces Pvt. Ltd.

Plot B-95, Road No. 27, Wagle Indl. Estate, M.I.D.C., Thane - 400 604, India

Tel.: 91-22-2582 2385, 2582 0172 | Fax : 91-22-2582 0992

info@uniquemixer.com | www.uniquemixer.com